

Form 19238

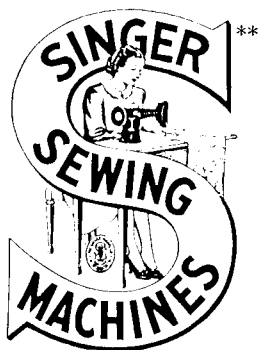
(339)

Printed in U. S. A.

HISTORICAL COPY

DO NOT REMOVE

LIST OF PARTS



MACHINE No. 32-63

** A TRADE-MARK OF

THE SINGER MANUFACTURING COMPANY

INSTRUCTIONS FOR OILING

To ensure easy running and prevent unnecessary wear of the parts which are in movable contact, the machine requires oiling and when in continuous use, "TYPE B" or "TYPE D" OIL, sold only by Singer Sewing Machine Company, should be applied at least twice each day to all oil holes marked "OIL".

Copyright, U. S. A., 1937 and 1939
by The Singer Manufacturing Co.
All Rights Reserved for all Countries

INDEX

	Page
Accessories.....	11
Bobbin Winder.....	11
Carpet Guide.....	11
Knee Lifter Parts.....	11
Machine No. 32-63.....	5
Numerical List of Parts.....	13
Tape Reel.....	12

From the library of: Diamond Needle Corp

SINGER Needles should be used
in SINGER Machines.
These Needles and their Containers
are marked with the
Company's Trade-Mark "SIMANCO.***" 1

Needles in Containers marked
"FOR SINGER MACHINES"
are NOT **SINGER** made needles. 2

INSTRUCTIONS FOR ORDERING

In ordering from this list, use ONLY the part NUMBER in the FIRST column.

The number stamped on a Sewing Machine Part is in every case the number of the single part only.

Every combination of parts sent out as such has its specific number, which, although not stamped on the parts, must be used when ordering the combination.

Each number always indicates the SAME PART in whatever list it appears, or for whatever machine.

The letters after some of the numbers indicate the style of finish only, as follows:

- A-Hardened, Polished, Nickel Plated and Buffed
- A.A-Buffed and Chromium Plated
- A.C-Hardened, Polished, Buffed and Chromium Plated
- B-Polished, Nickel Plated and Buffed
- C-Hardened Only
- C.R-Hardened and Merlized
- D-Polished Only
- E-Soft, Bright Polished
- F-Polished and Polished
- F.H-Hardened, Polished and Nickel Plated
- G-Bright Polished and Nickel Plated
- H-Bright
- J-Nickel Plated Only
- K-Hardened and Nickel Plated
- L-Brass Plated
- M-Oxidized
- N-Japaned, Dull
- P-Japaned, Bright
- P.P-Wrinkle Finish
- R-Merlized
- S-Cadmium Plated
- T-Copper Plated
- T.A-Hardened, Polished, Copper and Nickel Plated and Buffed
- T.B-Copper and Nickel Plated and Polished
- T.J-Copper and Nickel Plated Only
- T.K-Hardened, Copper and Nickel Plated
- T.L-Copper and Brass Plated
- T.M-Copper Plated and Oxidized
- U-Zinc Plated
- V-Silver Plated
- W-Polished and Nickel Plated
- X-Black Oxide, for Iron and Steel
- X.C-Hardened and Black Oxide, for Iron or Steel
- Y-Black Nickel Plated Only
- Z-Chromium Plated
- Z.A-Hardened, Polished, Nickel Plated, Buffed and Chromium Plated
- Z.B-Polished, Nickel Plated, Buffed and Chromium Plated
- Z.C-Hardened and Chromium Plated
- Z.D-Polished and Chromium Plated
- Z.G-Bright Rumbled, Nickel Plated, Bright Rumbled and Chromium Plated
- Z.J-Nickel and Chromium Plated
- Z.T-Copper and Chromium Plated

These letters MUST BE USED when they appear in the list; and AFTER the number as in the list.

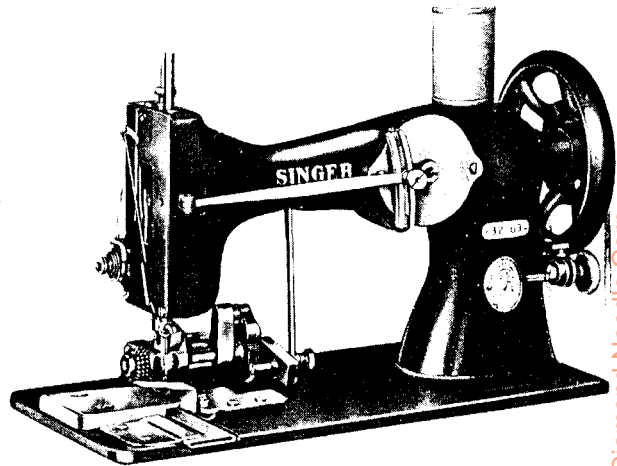
In this series:

- 1 to 1500, 50001 to 51500 and 140001 to 142000 are Screw Numbers
- 1501 to 1900 and 51501 to 51800 are Nut Numbers
- 1901 to 2000 and 51801 to 52000 are Roller Numbers
- 2001 to 50000 and 52001 to 140000 and 142001 to 190000 are Sewing Machine Parts, 190001 and upward are numbers of Electrical Parts.

The figures in the second column refer only to the plates, illustrating the parts, and are NOT TO BE USED in ordering.

Parts marked with an asterisk (*) are furnished only when repairs are made at factory.

LIST OF PARTS COMPLETE FOR



MACHINE No. 32-63

For Serging and Attaching a Binding to the Edge of Carpets in One Operation with a Zigzag Stitch. Needle throw up to 1/4 inch. Adjustable guides to conform with variation in the throw of needle. Upper wheel feed. Knee Lifter. Speed 800 R.P.M.

No.	Plate	Name
*15670	----	Arm with 122D, 283D, 7257, 15404 and two 15405.....
		Arm Dowel Pin.....
2002	3482	" Screw.....
123E	3482	" Shaft (horizontal).....
15671	3478	" " " Gear (24 teeth).....
33875	3478	with 458C.....
		Arm Shaft (horizontal) Gear Pin.....
2117	3478	" " " " Set Screw....
458C	3478	" " " " Screw.....
144D	3478	" " " " (upright).....
7471	3478	" " " Collar with 462C....
7599	3478	" " " " Pin.....
2117	3478	" " " " " Pin.....

Copyright of: Diamond Needle Corp

PARTS FOR MACHINE No. 32-63

No.	Plate	Name
462C	3478	Arm Shaft (upright) Collar Set Screw....
33876	3478	" " " Gear (24 teeth) with 449C.....
2117	3478	Arm Shaft (upright) Gear Pin.....
449C	3478	" " " Set Screw.....
15783	3478	" " " Lower Bearing Oil Tube
*7257	----	" Side Plate.....
122D	3482	" " " Screw.....
283D	3482	" " " Thumb Screw.....
52239	3478	" Spool Pin and Thread Eyelet.....
8879	3478	" " " Washer (cloth).....
7370	3478	Balance Wheel, 2 3/4 in. pulley, with two 448C.....
2862	3478	Balance Wheel, 3 in. pulley, for 3022...
448C	3478	" " " Set Screw.....
*142501	----	Bed.....
7259	3482	" Leg.....
145E	3482	" " Screw.....
256J	3478	Clamp Stop Motion Clamp Screw.....
248A	3478	" " " " Stop Screw
2020	3478	" " " " Washer.....
4933	3478	" " " Flanged Bushing with two 462C.....
462C	3478	Clamp Stop Motion Flanged Bushing Set Screw
3022	----	Clamp Stop Motion complete, Nos. 248A, 256J, 2020 and 4933.....
33958	3479	Face Plate with 10136.....
33959	3479	Face Plate with Tension Releaser com- plete, Nos. 106D, 10135, 33932 and 33958.....
190D	3479	Face Plate Screw.....
15676	3478	Feed Eccentric with two 448C.....
15677	3478	" " Collar with two 448C.....
448C	3478	" " " Set Screw.....
15678	3478	" " Connection with 1012E....
1012E	3478	" " " Adjusting Screw
448C	3478	" " " Set Screw.....
15679	3480	" Ratchet Pawl with 2974.....
33D	3460	" " " Hinge Screw.....
15680	3480	" " " Spring.....
2974	3480	" " " " Pin.....
15681	3480	" " Retaining Pawl with 2974...
33D	3480	" " " " Hinge Screw.
15682	3480	" " " " Spring.....
2974	3480	" " " " " Pin..
15683	3480	" " Wheel.....
7958	3480	" " " Pin.....
15684	3480	" Regulator with 2974.....

PARTS FOR MACHINE No. 32-63

No.	Plate	Name
15685	3480	Feed Regulator Adjusting Screw Sleeve...
986C	3480	" " " " Stud.....
1538D	3480	" " " " Thumb Nut
6312	3480	" " " " " " "
		Washer.....
15686	3480	Feed Wheel.....
15752	3480	Feed Wheel complete, Nos. 428C, 986C, 1538D, 6312, 15679 to 15689, 15691, 15692, 33992, two 33D and three 7958.....
7958	3480	Feed Wheel Pin.....
15687	3480	" " Shaft.....
15688	3480	" " " Collar.....
7958	3480	" " " " Pin.....
15689	3480	" " " Frame with 2974.....
33992	3480	" " " " Bracket with 462C
161D	3480	" " " " " Screw...
15691	3480	" " " " Connection.....
428C	3480	" " " " " Hinge Screw.....
2269	3480	Feed Wheel Shaft Frame Connection Pin...
15692	3480	" " " " Hinge Pin.....
462C	3480	" " " " " " Set Screw
7652	3481	Needle Bar with 15588.....
15721	----	Needle Bar complete, Nos. 665D, 7287, 7288 7652 and 15537.....
7283	3481	Needle Bar Connecting Link with 1012E...
1012E	3481	" " " " Adjusting Screw
380C	3481	" " " " Hinge Screw...
1520E	3481	" " " " " " Nut
7294	3481	" " " " Stud with 453C...
453C	3481	" " " " Set Screw...
7291	3481	" " Frame with 620C.....
33950	3478	" " " Cam and Bevel Gear (36 teeth) with 15C.....
7290	3486	Needle Bar Frame Cam and Bevel Gear Cover.....
190D	3486	Needle Bar Frame Cam and Bevel Gear Cover Screw.....
15C	3478	Needle Bar Frame Cam and Bevel Gear Screw.....
33970	3478	Needle Bar Frame Driving Bevel Pinion (18 teeth) with two 453C.....
453C	3478	Needle Bar Frame Driving Bevel Pinion Set Screw.....
7293	3482	Needle Bar Frame Pitman.....
646F	3481	" " " " Hinge Screw.....
7294	3481	" " " " " Stud.....
620C	3481	" " " " " " Stop Screw.....

PARTS FOR MACHINE No. 32-63

No.	Plate	Name
7295	3482	Needle Bar Frame Regulator with 1820C...
*33861	----	" " " " 7295 with 549C, 7293, 3394B and two 226J.....
549C	3482	Needle Bar Frame Regulator Adjusting Screw Stud.....
7070	3482	Needle Bar Frame Regulator Adjusting Screw Stud Sleeve.....
226J	3482	Needle Bar Frame Regulator Adjusting Screw Stud Stop Screw (lower).....
226J	3482	Needle Bar Frame Regulator Adjusting Screw Stud Stop Screw (upper).....
1589D	3482	Needle Bar Frame Regulator Adjusting Screw Stud Thumb Nut.....
1820C	3482	Needle Bar Frame Regulator Roller and Stud.....
3394B	3482	Needle Bar Frame Regulator Shaft.....
6533	3482	" " " " " Collar with 460C.....
460C	3482	Needle Bar Frame Regulator Shaft Collar Set Screw.....
7293	3482	Needle Bar Frame Regulator Shaft Pin....
577C	3481	" " " " Screw Center (lower)...
1517E	3481	" " " " " " Nut
673F	3481	" " " " " (upper)...
1517D	3481	" " " " " " Nut
15537	3481	" " " " " " " " Nut
7287	3431	" Clamp with 196F.....
196F	3481	" " " " " " Screw.....
7288	3481	" " " " " " Thread Guide.....
665D	3481	" " " " " " Screw.....
142502	3485	" Plate.....
50231F	3485	" " " " " " Screw.....
15538	3491	" " " " " " Stop Pin.....
14031	3483	Oscillating Rock Shaft with 4794.....
14856	3483	" " " " " Crank with 735C...
2049	3483	" " " " " " Pin.....
735C	3483	" " " " " " Set Screw..
4784	3483	" " " " " " Oil Pad.....
7317	3483	" " " " " " Shaft.....
7318	3483	" " " " " " Crank with 735C and 1813
2049	3483	" " " " " " Pin.....
1913	3483	" " " " " " Roller and Stud...
735C	3483	" " " " " " Set Screw.....
15693	3481	Presser Bar.....
52016	3481	" " " " " " Lifter.....
36C	3481	" " " " " " Screw.....
2308	3481	" " " " " " Spring.....
2070	3481	" " " " " " Washer.....
263E	3481	Pressure Regulating Thumb Screw.....

PARTS FOR MACHINE No. 32-63

No.	Plate	Name
2996	3479	Shuttle Bobbin.....
33941	3479	" " " " Case.....
15141	3479	" " " " " Hinge, Nos. 2973, 2974 and 15140.....
15140	3479	Shuttle Bobbin Case Latch.....
2973	3479	" " " " " Lever.....
2974	3479	" " " " " " Fulcrum Pin.....
2975	3479	Shuttle Bobbin Case Latch Spring.....
592E	3479	" " " " " " Stop Screw....
33993	3483	" " " " " " Position Plate.....
391J	3483	" " " " " " " Screw
33942	3479	Shuttle Bobbin Case complete, Nos. 591F, 592E, 2975, 15141, 15278 and 33941..
15728	3479	Shuttle Body.....
591F	3479	" " " " " Tension Regulating Screw.....
15278	3479	" " " " " " Spring.....
15729	3479	Shuttle, 1 11/16 in. diam., Nos. 3996, 15728 and 33942.....
*15730	----	Shuttle Driver.....
15731	3483	" " " " 15730 with two 462C....
2049	----	" " " " " " Pin.....
462C	3483	" " " " " " Set Screw.....
7494	3478	" " " " " Pitman with four 196D.....
136D	3478	" " " " " " Cap Screw.....
777C	3478	" " " " " " Connecting Ball Joint Screw.....
1519E	3478	Shuttle Pitman Connecting Ball Joint Screw Nut.....
14832	3478	Shuttle Pitman Crank Wheel with 435E and 743C.....
743C	3478	Shuttle Pitman Crank Wheel Position Screw.....
435C	3478	Shuttle Pitman Crank Wheel Set Screw....
14049	3483	" " " " " " Race Back.....
2532	3483	" " " " " " Position Pin.....
2533	3483	" " " " " " Spring.....
648D	3483	" " " " " " " Screw.....
33943	3483	" " " " " " Body.....
33944	----	" " " " " " 33943 with 7326 and two 662D.....
33945	----	Shuttle Race Body 33944 with two 2532...
33946	----	" " " " " " 33945 with 33993 and two 391J.....
33947	3483	Shuttle Race complete, Nos. 648D, 2533, 14049 and 33946.....
14050	3483	Shuttle Race Bracket.....
142503	3483	Shuttle Race Bracket complete, Nos. 7317, 7318, 14031, 14050, 14856, 15730 and three 2049.....

No.	Plate	Name
14051	3483	Shuttle Race Bracket Adjusting Slide....
219F	3483	" " " " " Screw
14105	3483	" " " " " Steady Pin.....
146D	3483	Shuttle Race Bracket Screw.....
7326	3483	" " Cap.....
662C	3483	" " " Screw.....
145F	3483	" " Screw.....
2102	3479	Tension Disc.....
1560C	3479	" Regulating Thumb Nut.....
33932	3479	" Releaser with 10136.....
106D	3479	" " Hinge Screw.....
10135	3479	" " Spring.....
10136	3479	" " " Hook.....
413C	3479	" Screw Stud.....
33892	----	" " " 413C with 1560C.....
2103	3479	" Spring (heavy).....
8238	----	" (light).....
7332	3479	" Thread Guard.....
7331	3479	Tension complete, Nos. 2103, 7335, 7336, 33892 and two 2102.....
33899	----	Tension complete, Nos. 7335, 7336, 8238, 33892 and two 2102.....
2112	3479	Thread Retaining Disc with 2113.....
2113	3479	" " " Steady Pin.....
2114	3479	" " Spring.....
2115	3479	" " Stud.....
460C	3479	" " " Set Screw.....
2111	3479	Thread Retainer Guide complete, Nos. 2112, 2114 and 2115.....
7562	3478	Thread Take-up Cam with 448C.....
2117	3478	" " " Pin.....
448C	3478	" " " Set Screw.....
33995	3478	" " Lever with 1822.....
33996	3478	" " " 33995 with 79C....
79C	3478	" " " Hinge Screw.....
1822	3478	" " " Roller and Stud...
7335	3479	" " Spring.....
7336	3479	" " " Regulator.....
446C	3479	" " " " Set Screw
*15404	----	Trade Mark.....
15405	----	" " Rivet.....
7542	3487	Drip Pan (power table) with five 1 in. wire nails.....

ACCESSORIES

No.	Plate	Name
27055	3484	Machine Button with wood screw 1 3/4 in. No. 14.....
120342	3484	Oiler (copper plated) with 120343.....
120343	3484	" Spout 3 1/2 in. long.....
41400	3484	Machine Rest Pin (wood).....
26026	3484	Screw Driver (large).....
26485	3484	" " (small).....
8909	3484	Wrench for 1517.....

BOBBIN WINDER

(ECCENTRIC)

No.	Plate	Name
2466	3482	Eccentric.....
51224D	3482	" Thumb Screw.....
2467	3482	Frame.....
2460	3482	Friction Ring (rubber).....
2461	3482	Pulley.....
2693	3482	Spindle.....
2694	----	" 2693 with 2461.....
2692	3482	Bobbin Winder (eccentric) complete, Nos. 2460, 2466, 2467, 2694 and 51224D...
161D	3482	Bobbin Winder Screw.....

CARPET GUIDE

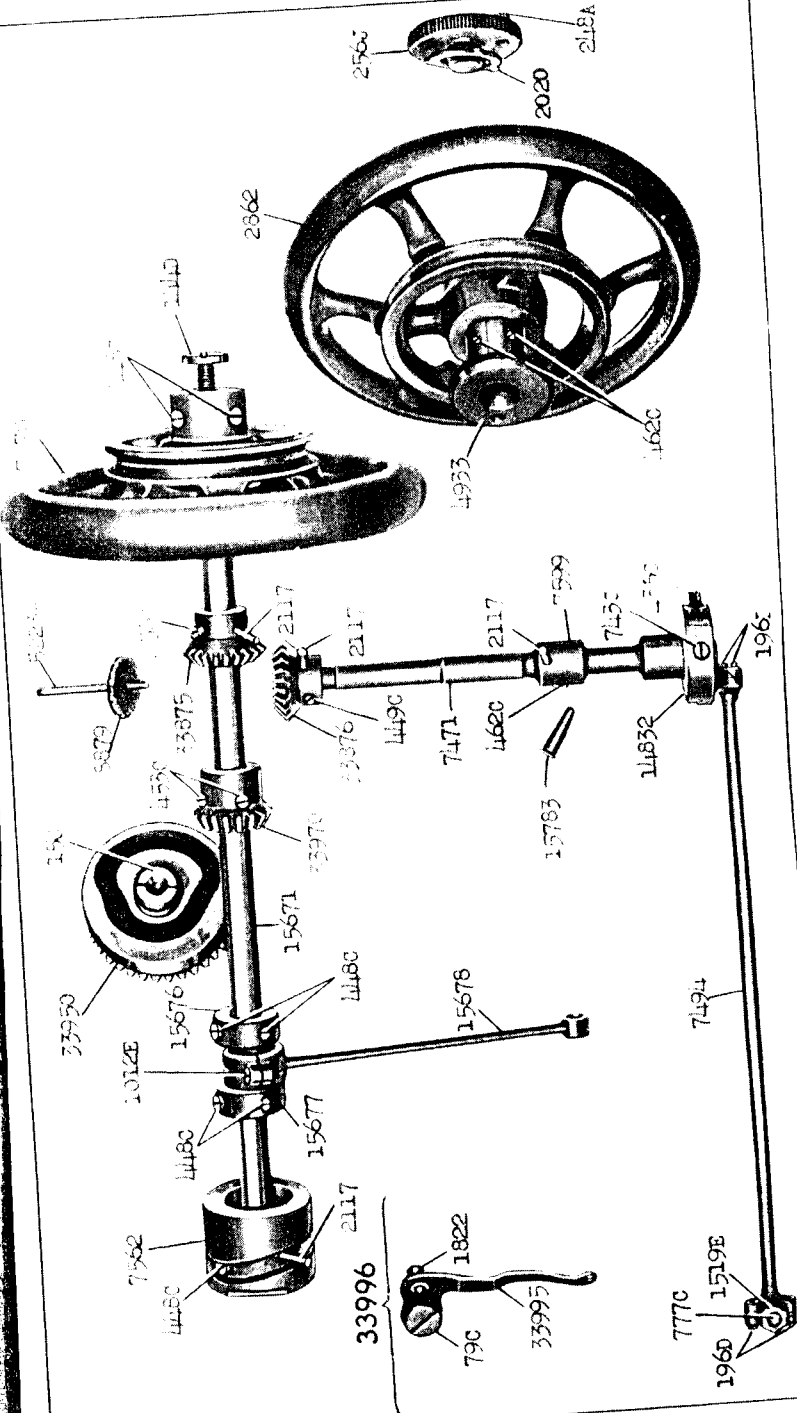
No.	Plate	Name
121620	3485	Carpet Guide (left).....
157F	3485	" " " Screw.....
121621	3485	" " (right) with 171J.....
171J	3485	" " " Adjusting Screw....
7508	3485	" " " Clamp.....
207J	3485	" " " " Screw.....
121623	3485	" " " Plate.....
50472F	3485	" " " " Screw.....
190F	3485	" " " Set Screw.....
121622	3485	Carpet Guide (right) complete, Nos. 190F, 7508, 121621, 121623 and two 207J...
121624	3485	Carpet Guide Tape Guide (on shank).....
50472F	3485	" " " " Screw.....

KNEE LIFTER PARTS

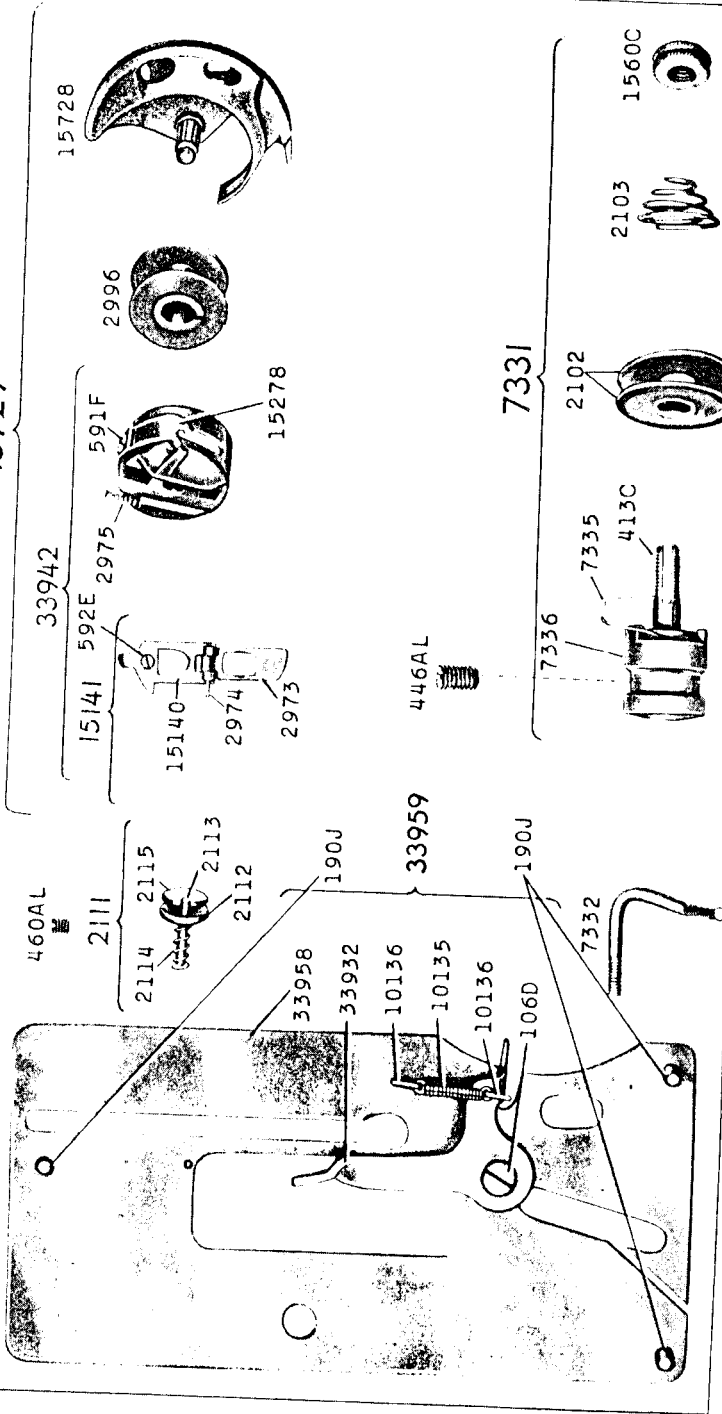
No.	Plate	Name
7535	3486	Lifting Lever.....
802D	3486	" " Hinge Screw.....
15773	3486	" " Spring.....
7538	3481	Presser Bar Lifting Bracket with 740C...
740C	3431	" " " " Set Screw...
2763	3486	Rock Shaft.....
12242	3486	" " Hanger with two wood screws 1 in. No. 10.....
2765	3486	Rock Shaft Knee Arm.....
2766	3486	" " " " Hub with 356C.....
356C	3486	" " " " " Set Screw.....
2768	----	Rock Shaft Knee Arm complete, Nos. 2765 to 2767.....
2767	3486	Rock Shaft Knee Plate with 356C.
356C	3486	" " " " Set Screw.....
6337	3486	" " Lifting Bracket with two 356C
2778	3486	" " " " Hook.....
356C	3486	" " " " " Set Screw
356C	3486	" " " " " Set Screw....
2770	3486	" " Stop Dog with 140219C.....
140219C	3486	" " " " Set Screw.....
2777	3486	Rock Shaft complete, Nos.2763,2768,2770, 2778,6337 and two 12242.....
7533	----	Knee Lifter complete (power table) Nos. 802D, 2777, 7535, 7538 and 15773....

TAPE REEL

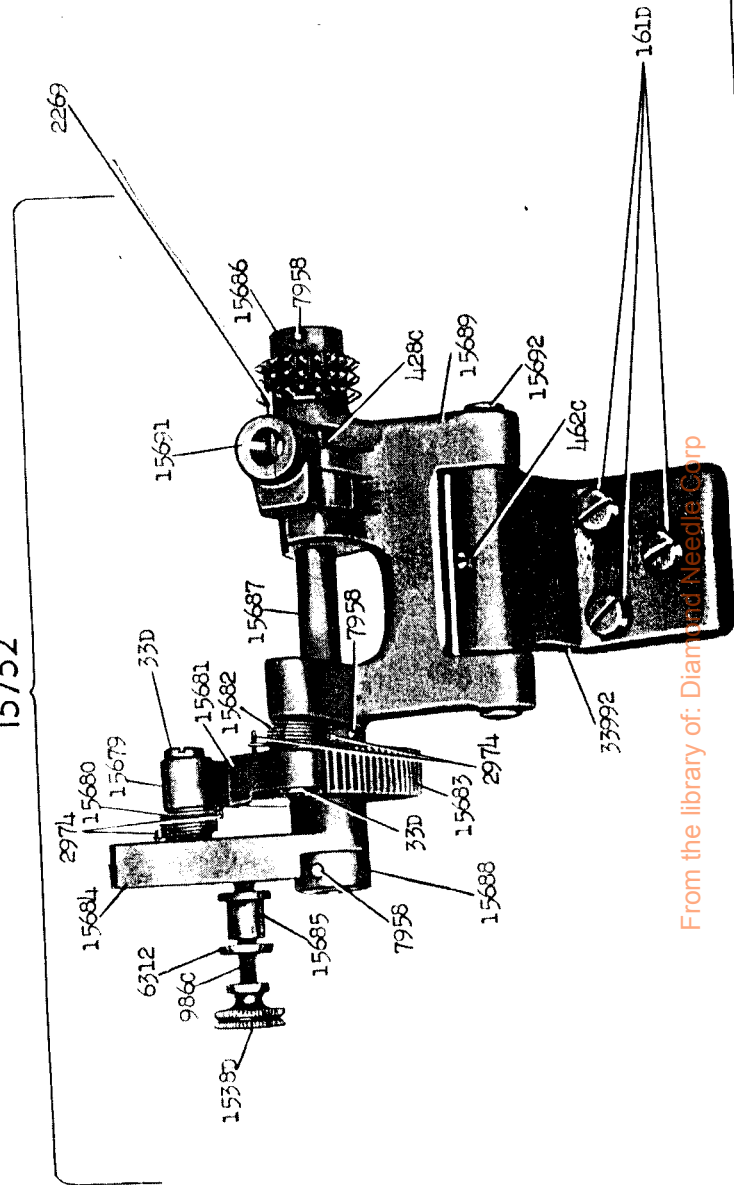
No.	Plate	Name
121702	3487	Disc, 10 in. diam., with 793R.....
793R	3487	" Thumb Screw.....
120909	3487	Spool Holder Rod.....
168B	3487	" " " Set Screw.....
27723	3487	" " Stand Base with 168B and three wood screws 1 in. No. 10.....
121703	3487	Tape Reel complete, Nos. 27723, 120909 and two 121702.....



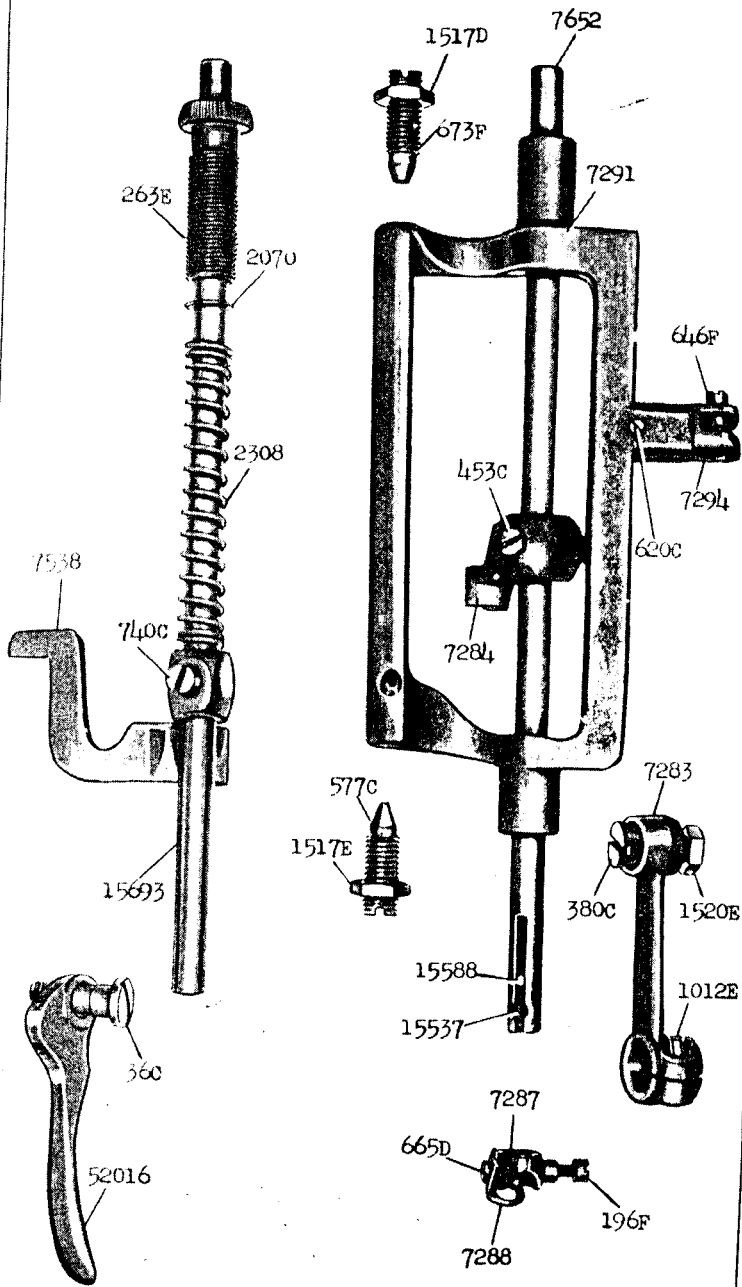
15729



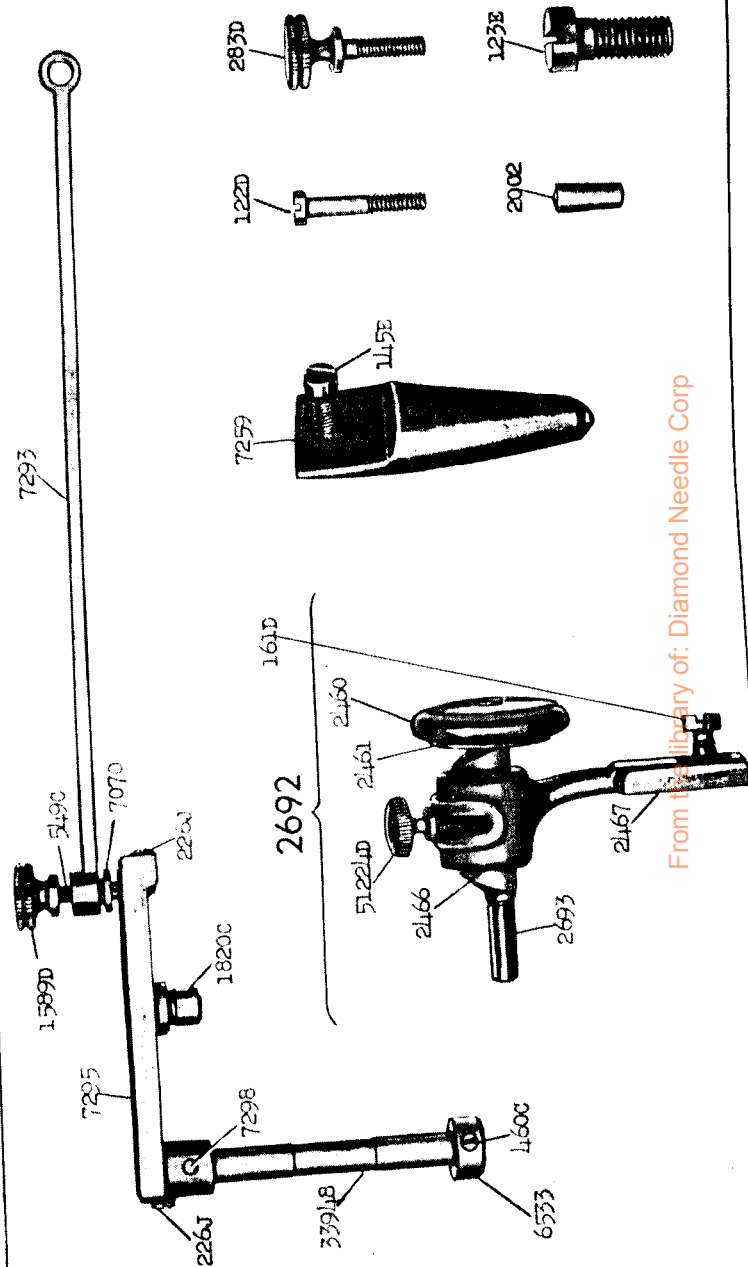
15752



3481 - 2/3

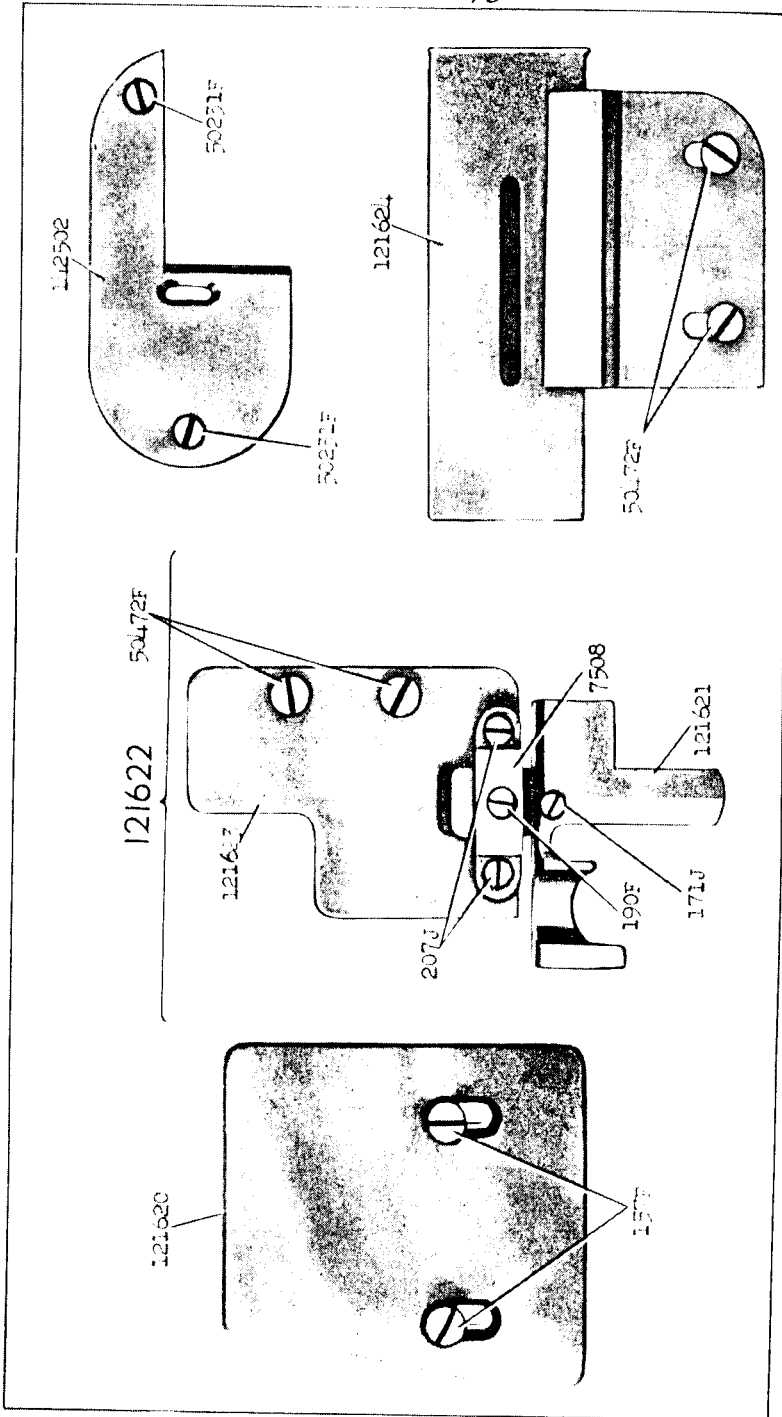


3482 - 2/3

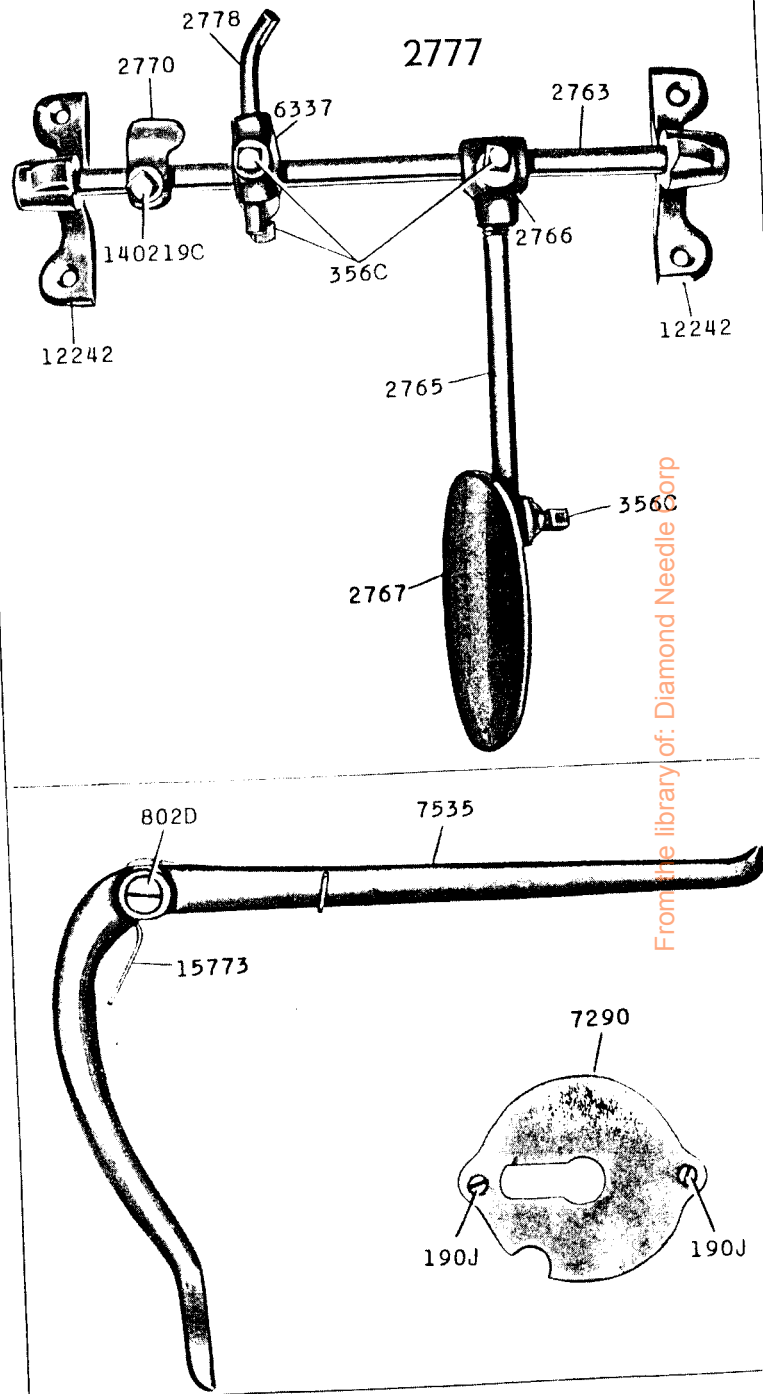


From the Library of: Diamond Needle Corp

3485 - 2/3



3486 - 1/3



From the library of: Diamond Needle Corp

